

**EMV Compliant**

## TECHNICAL CHARACTERISTICS

### 1. General Characteristics

Dimension: 55.50L x 40.00W x 5.80H mm

Weight: Approx. 11.3 g

Contact principle: Friction technology

Operating position: Shaft up / Down / Horizontal

Mounting System: DIP or SMT Type (with post)

Durability: 100,000 cycles min.

### 2. Mechanical Characteristics

Insulation material: Thermoplastic, UL 94V-0

RoHS Directive 2011/65/EU Compliant

### 3. Electrical Characteristics

Number of contacts: 8 pins

Contact resistance: 50 mΩ typical, 100 mΩ max.

Insulation resistance: >1000 MΩ / 500 VDC

Switch type: Sealed

Operation: Normally Open

### 4. Solderability

Wave: Not applicable

IR reflow: Not applicable

Manual soldering: 360°C, 3 sec. Max.

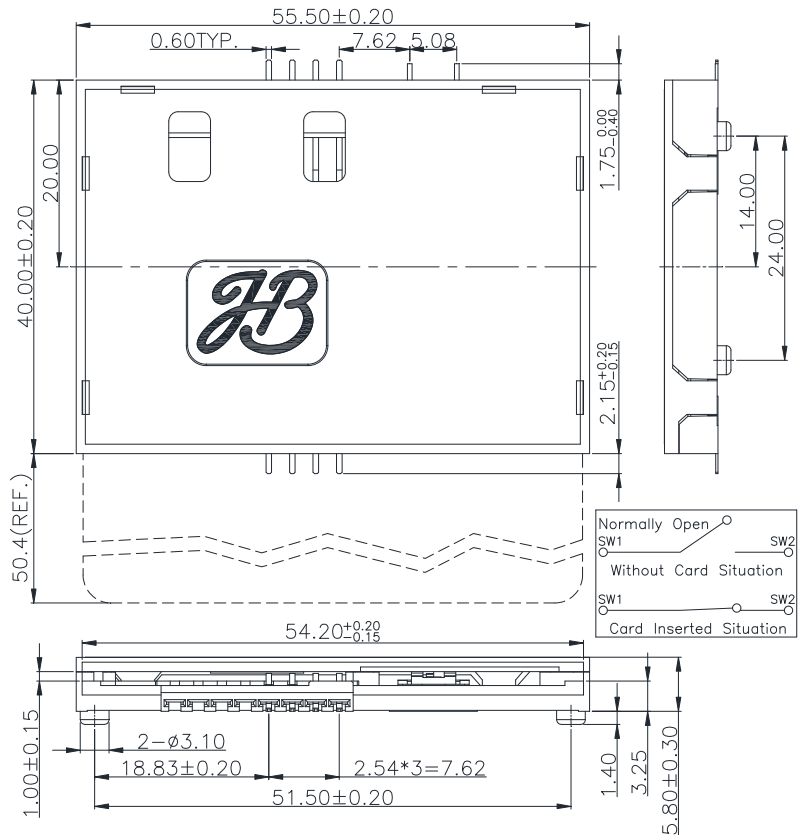
### 5. Environmental Characteristics

Operating temperature: - 40°C ~ + 85°C

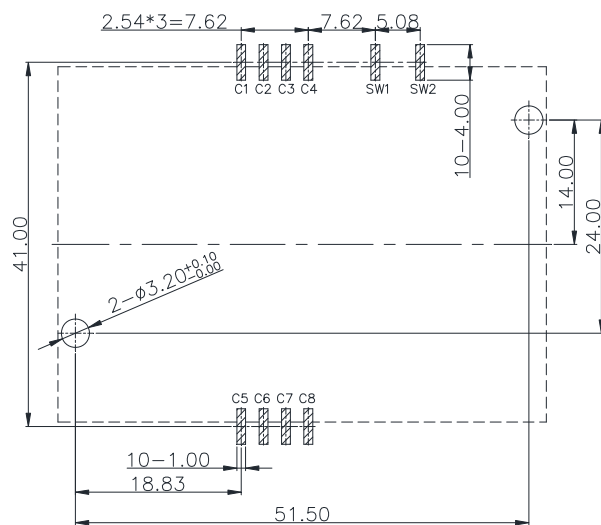
Operating humidity: 10 % ~ 95 % RH

Storage temperature: - 40°C ~ + 85°C

Storage humidity: 10 % ~ 95 % RH



Unit: mm; Tolerances: ±0.15 mm  
Mechanical outline dimension



Unit: mm; Tolerances: ±0.05 mm  
Reference dimension for PCB layout

**HB Smart Card Acceptor**

**Model No.: ICA-602 SMT Long Pin**

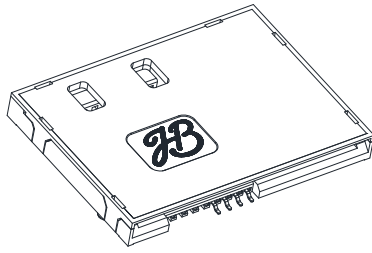
**Revision: 2.4**

**Date: JUL. 28, 2020**

Note:

1. Coplanarity of solder pins 0.10mm max.

2. Recommended thickness of solder paste > 0.15mm.



**EMV Compliant**

## TECHNICAL CHARACTERISTICS

### 1. General Characteristics

Dimension: 55.50L x 40.00W x 5.80H mm

Weight: Approx. 11.3 g

Contact principle: Friction technology

Operating position: Shaft up / Down / Horizontal

Mounting System: DIP or SMT Type (with post)

Durability: 100,000 cycles min.

### 2. Mechanical Characteristics

Insulation material: Thermoplastic, UL 94V-0

RoHS Directive 2011/65/EU Compliant

### 3. Electrical Characteristics

Number of contacts: 8 pins

Contact resistance: 50 mΩ typical, 100 mΩ max.

Insulation resistance: >1000 MΩ / 500 VDC

Switch type: Sealed

Operation: Normally Open

### 4. Solderability

Wave: Not applicable

IR reflow: Not applicable

Manual soldering: 360°C, 3 sec. Max.

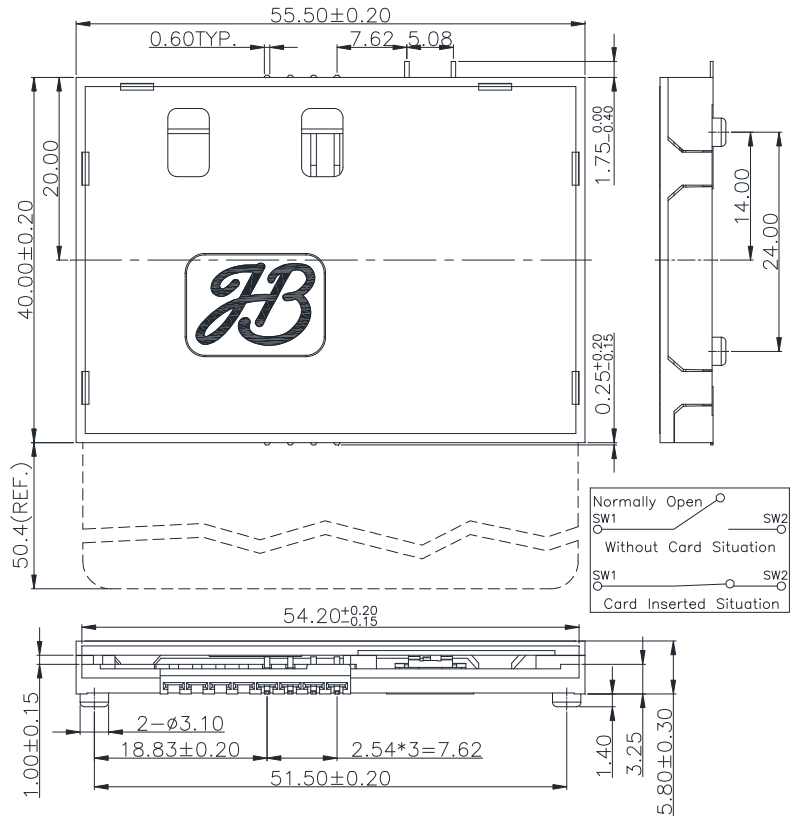
### 5. Environmental Characteristics

Operating temperature: - 40°C ~ + 85°C

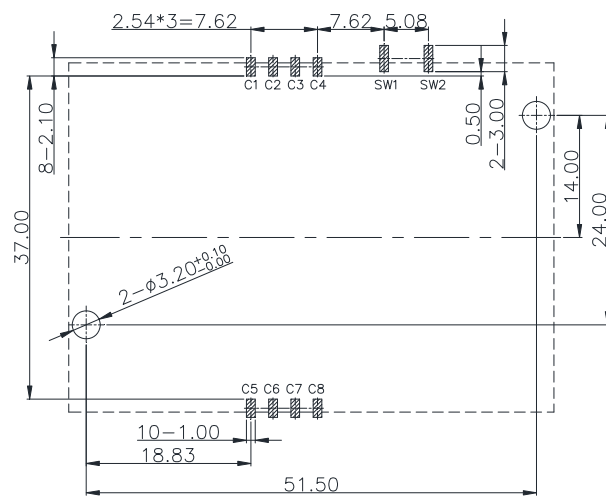
Operating humidity: 10 % ~ 95 % RH

Storage temperature: - 40°C ~ + 85°C

Storage humidity: 10 % ~ 95 % RH



Unit: mm; Tolerances: ±0.15 mm  
Mechanical outline dimension



Unit: mm; Tolerances: ±0.05 mm  
Reference dimension for PCB layout

**HB Smart Card Acceptor**

**Model No.: ICA-602 SMT Short Pin**

**Revision: 2.4**

**Date: JUL. 28, 2020**

Note:

1. Coplanarity of solder pins 0.10mm max.

2. Recommended thickness of solder paste > 0.15mm.