

**EMV & PCI Compliant**

## TECHNICAL CHARACTERISTICS

### 1. General Characteristics

Dimension: 56.50L x 31.80W x 3.10H mm  
Weight: Approx. 8.32 g  
Contact principle: Friction technology  
Operating position: Shaft up / Down / Horizontal  
Mounting System: SMT Type (with post)  
Durability: 500,000 cycles min.

### 2. Mechanical Characteristics

Insulation material: Thermoplastic, UL 94V-0  
RoHS Directive 2011/65/EU Compliant

### 3. Electrical Characteristics

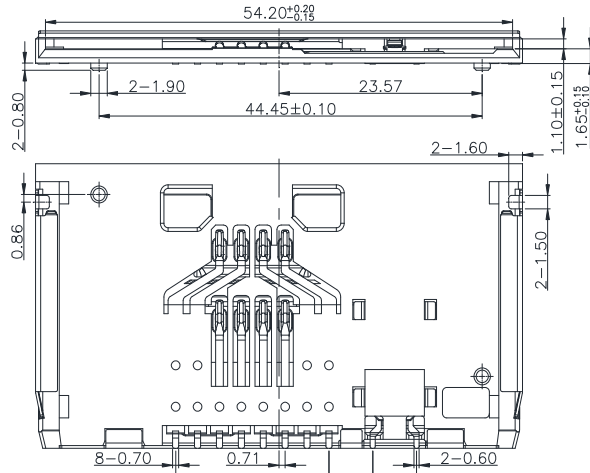
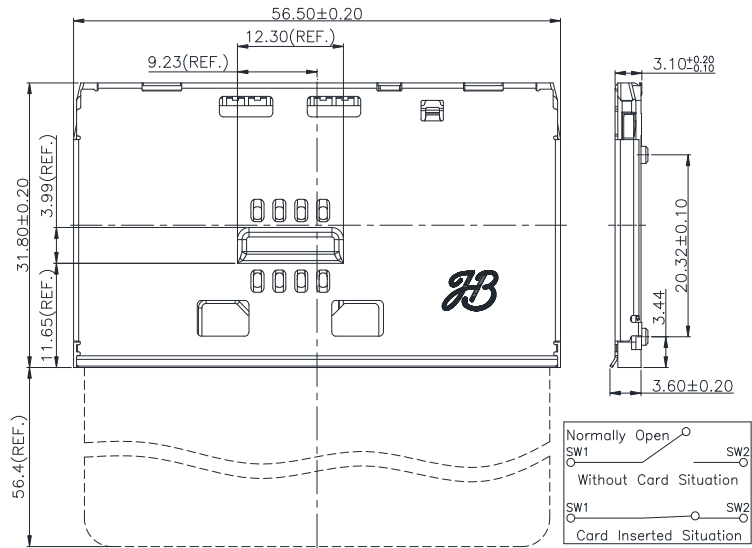
Number of contacts: 8 pins  
Contact resistance: 50 mΩ typical, 100 mΩ max.  
Insulation resistance: >1000 MΩ / 500 VDC  
Switch type: Sealed  
Operation: Normally Open

### 4. Solderability

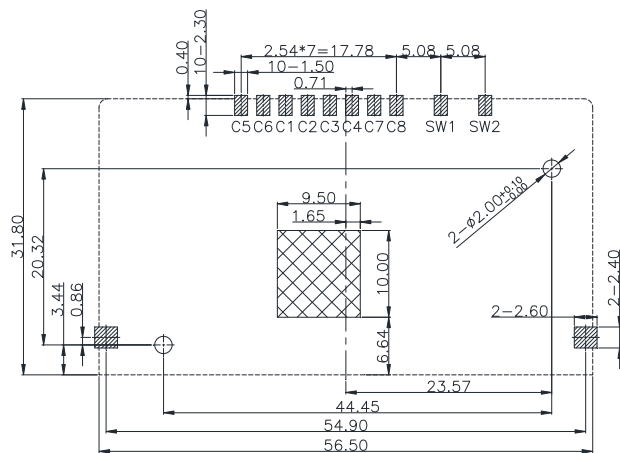
Wave: Not applicable  
IR reflow: 260°C, 10 sec. Max.  
Manual soldering: 360°C, 3 sec. Max.

### 5. Environmental Characteristics

Operating temperature: - 40°C ~ + 85°C  
Operating humidity: 10 % ~ 95 % RH  
Storage temperature: - 40°C ~ + 85°C  
Storage humidity: 10 % ~ 95 % RH



Unit: mm; Tolerances: ±0.15 mm  
Mechanical outline dimension



■ :BOARD PAD    ▣ :NO WIRING AREA

Unit: mm; Tolerances: ±0.05 mm  
Reference dimension for PCB layout

#### Note:

- Coplanarity of solder pins 0.10mm max.
- Recommended thickness of solder paste > 0.15mm.

**HB Smart Card Acceptor**

**Model No.: ICA-682 Type3**

**Revision: 1.0**

**Date: MAY 29, 2020**