

Offset Type

TECHNICAL CHARACTERISTICS

1. General Characteristics

Dimension: 24.00L x 18.75W x 2.45H mm
 Weight: Approx. 1.01 g
 Contact principle: Friction technology
 Operating position: Shaft up / Down / Horizontal
 Mounting System: SMT Type (offset 0.80 mm)
 Durability: 50,000 cycles min.

2. Mechanical Characteristics

Insulation material: Thermoplastic, UL 94V-0
 RoHS Directive 2011/65/EU Compliant

3. Electrical Characteristics

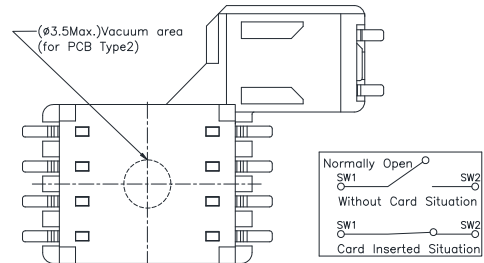
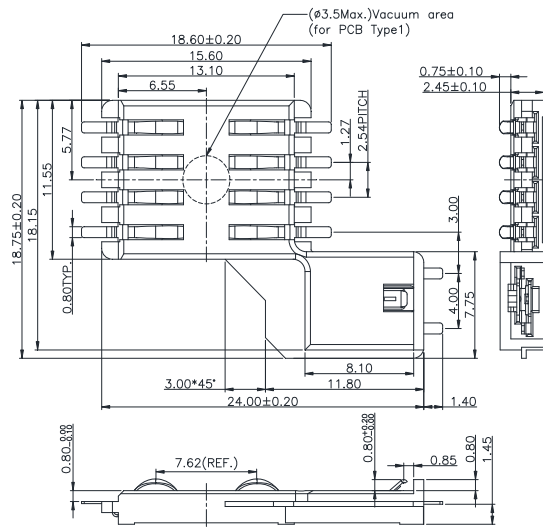
Number of contacts: 8 pins
 Contact resistance: 50 mΩ typical, 100 mΩ max.
 Insulation resistance: >1000 MΩ / 500 VDC
 Switch type: Blade
 Operation: Normally Open

4. Solderability

Wave: Not applicable
 IR reflow: 260°C, 10 sec. Max.
 Manual soldering: 360°C, 3 sec. Max.

5. Environmental Characteristics

Operating temperature: - 40°C ~ + 85°C
 Operating humidity: 10 % ~ 95 % RH
 Storage temperature: - 40°C ~ + 85°C
 Storage humidity: 10 % ~ 95 % RH

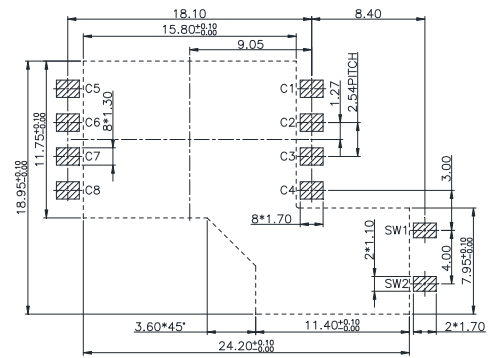


Recommend card slot height: 1.0 mm

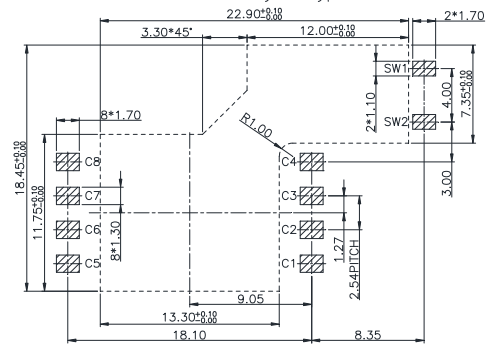
※Metal switch can't be touched. Must keep 0.1 mm min. gap above switch.

Unit: mm; Tolerances: ±0.15 mm

Mechanical outline dimension



For PCB Layout Type1



For PCB Layout Type2

Unit: mm; Tolerances: ±0.05 mm

Reference dimension for PCB layout

H&V Smart Card Connector

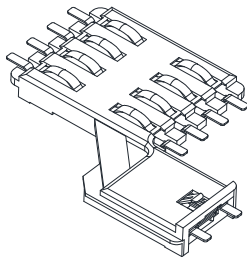
Model No.: ICC-325 H=2.45

Revision: 1.3

Date: MAY 01, 2014

Note:

1. Coplanarity of solder pins 0.10mm max.
2. Recommended thickness of solder paste > 0.15mm.



Offset Type

TECHNICAL CHARACTERISTICS

1. General Characteristics

Dimension: 24.00L x 18.75W x 2.75H mm
 Weight: Approx. 1.01 g
 Contact principle: Friction technology
 Operating position: Shaft up / Down / Horizontal
 Mounting System: SMT Type (offset 0.80 mm)
 Durability: 50,000 cycles min.

2. Mechanical Characteristics

Insulation material: Thermoplastic, UL 94V-0
 RoHS Directive 2011/65/EU Compliant

3. Electrical Characteristics

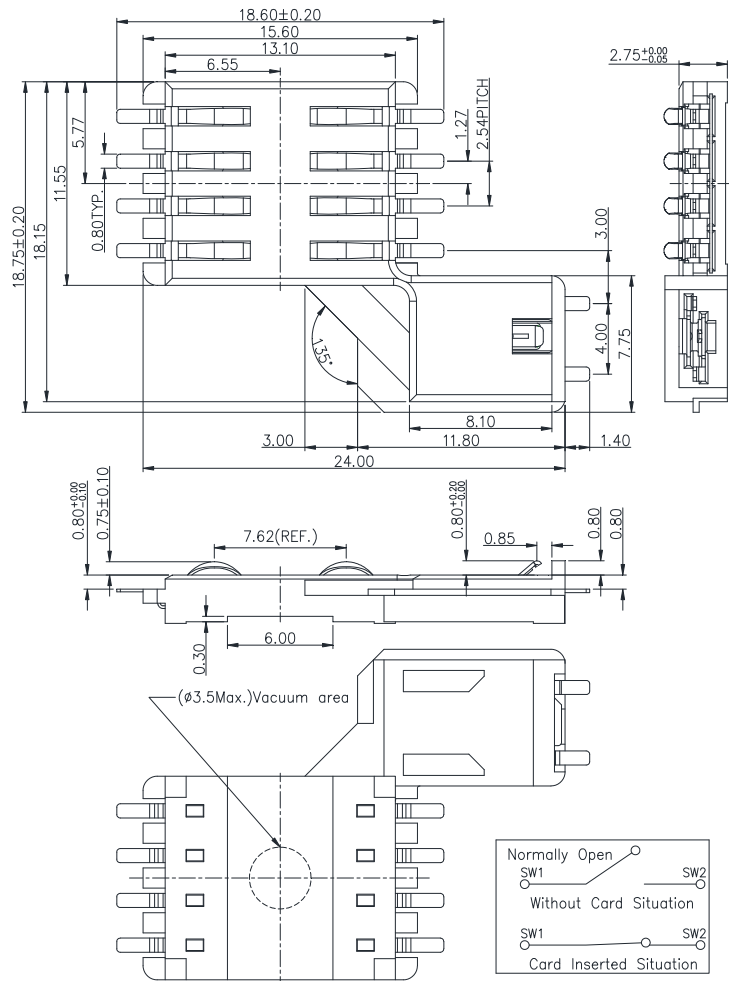
Number of contacts: 8 pins
 Contact resistance: 50 mΩ typical, 100 mΩ max.
 Insulation resistance: >1000 MΩ / 500 VDC
 Switch type: Blade
 Operation: Normally Open

4. Solderability

Wave: Not applicable
 IR reflow: 260°C, 10 sec. Max.
 Manual soldering: 360°C, 3 sec. Max.

5. Environmental Characteristics

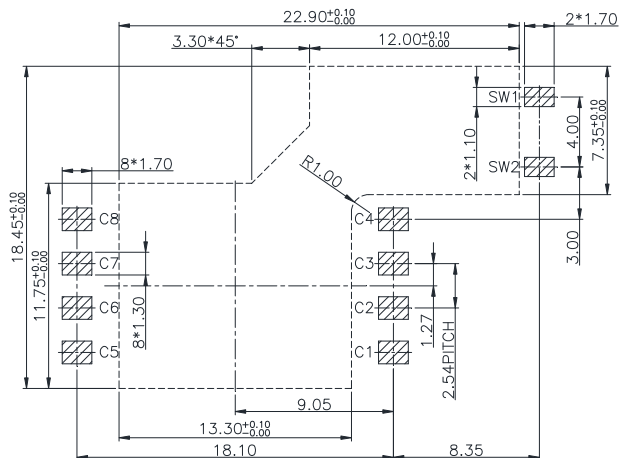
Operating temperature: - 40°C ~ + 85°C
 Operating humidity: 10 % ~ 95 % RH
 Storage temperature: - 40°C ~ + 85°C
 Storage humidity: 10 % ~ 95 % RH



Recommend card slot height: 1.0 mm

※Metal switch can't be touched. Must keep 0.1 mm min. gap above switch.

Unit: mm; Tolerances: ±0.15 mm
Mechanical outline dimension



Unit: mm; Tolerances: ±0.05 mm
Reference dimension for PCB layout

H&V Smart Card Connector

Model No.: ICC-325 H=2.75

Revision: 2.0

Date: MAY 01, 2014

Note:

1. Coplanarity of solder pins 0.10mm max.
2. Recommended thickness of solder paste > 0.15mm.