

## TECHNICAL CHARACTERISTICS

### 1. General Characteristics

Dimension: 13.72L x 12.29W x 1.37H mm  
 Weight: Approx. 0.4 g  
 Contact principle: Friction technology  
 Operating position: Shaft up / Down / Horizontal  
 Mounting System: SMT Type (with post)  
 Function: Push Push Type  
 Durability: 5,000 cycles min.

### 2. Mechanical Characteristics

Insulation material: Thermoplastic, UL 94V-0  
 RoHS Directive 2011/65/EU Compliant

### 3. Electrical Characteristics

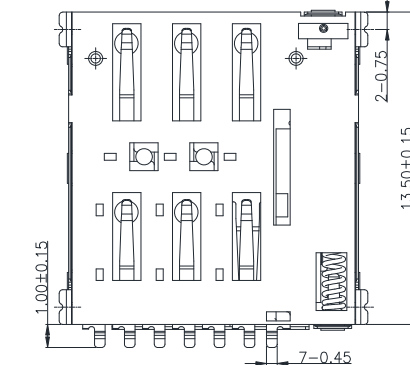
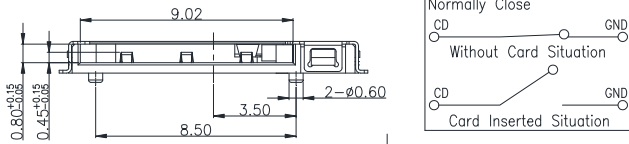
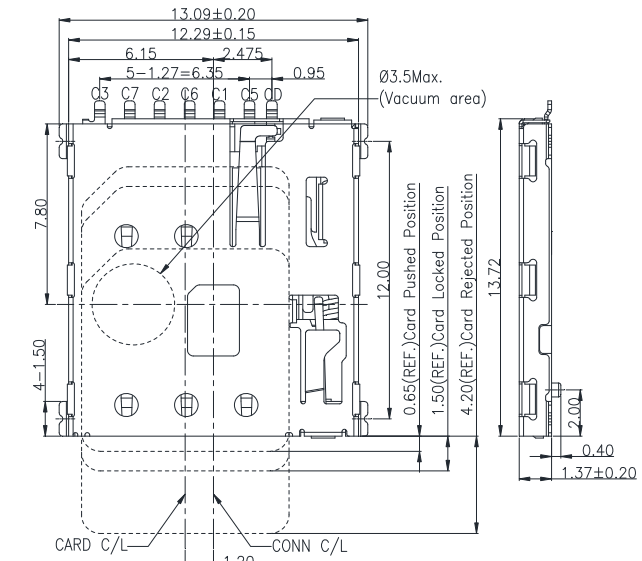
Number of contacts: 6 pins  
 Contact resistance: 100 mΩ max.  
 Insulation resistance: >1000 MΩ / 500 VDC  
 Switch type: Blade  
 Operation: Normally Close

### 4. Solderability

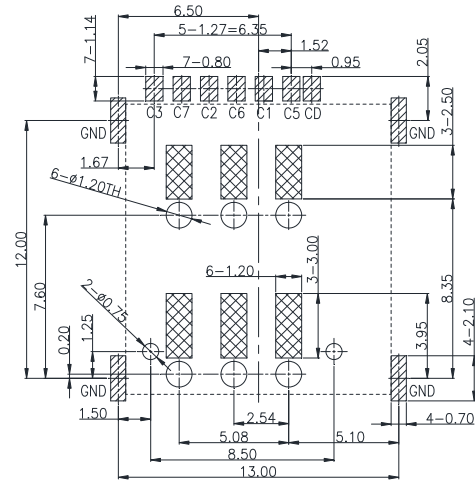
Wave: Not applicable  
 IR reflow: 260°C, 10 sec. Max.  
 Manual soldering: 360°C, 3 sec. Max.

### 5. Environmental Characteristics

Operating temperature: - 40°C ~ + 85°C  
 Operating humidity: 10 % ~ 95 % RH  
 Storage temperature: - 40°C ~ + 85°C  
 Storage humidity: 10 % ~ 95 % RH



Unit: mm; Tolerances: ±0.15 mm  
 Mechanical outline dimension



Unit: mm; Tolerances: ±0.05 mm  
 Reference dimension for PCB layout

H&V Nano SIM Card Connector

Model No.: ICC-N08 Type2

Revision: 1.0      Date: FEB. 06, 2018

#### Note:

- Coplanarity of solder pins 0.10mm max.
- Recommended thickness of solder paste > 0.15mm.

For further information, please contact:

Tel: +886 2 2662 8882(Rep.)    Fax: +886 2 2662 7201-2    E-mail: [taipei@hamburg.com.tw](mailto:taipei@hamburg.com.tw)    URL: <http://www.hamburg.com.tw>